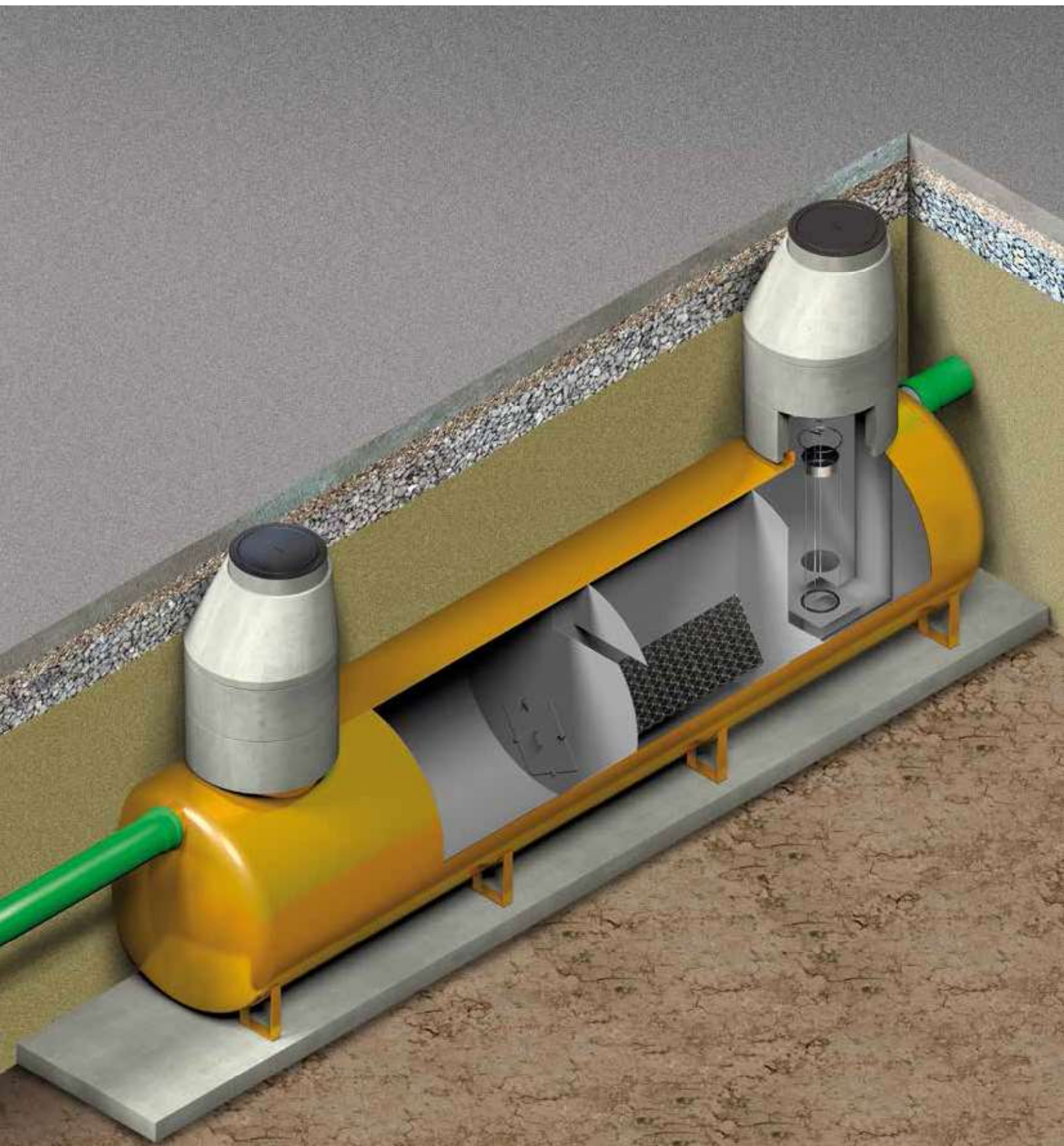
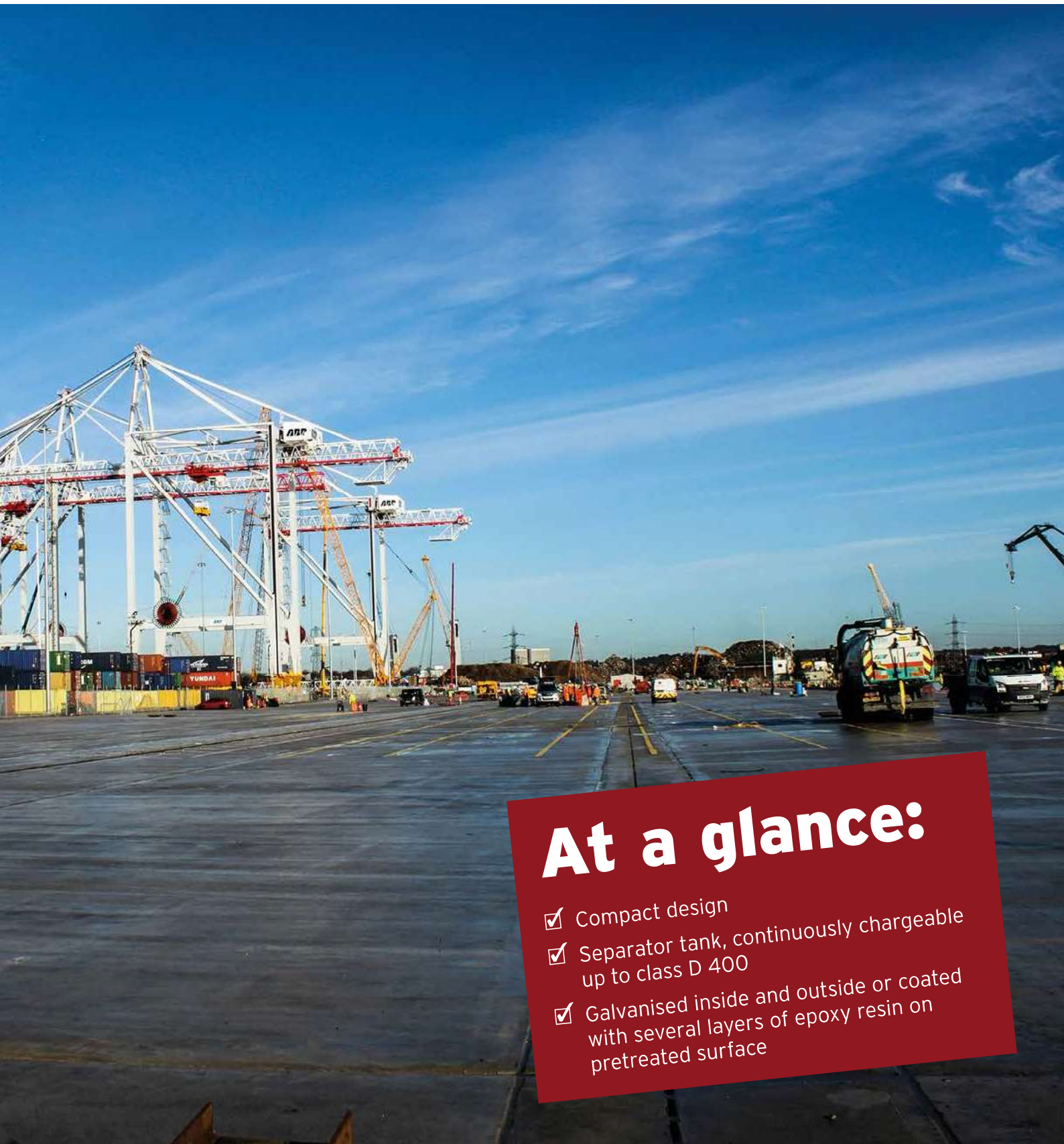


# AQUAFIX® Separators

Series „G“ made of steel  
Highest volume for biggest flow.





## At a glance:

- ✓ Compact design
- ✓ Separator tank, continuously chargeable up to class D 400
- ✓ Galvanised inside and outside or coated with several layers of epoxy resin on pretreated surface

# AQUAFIX® Separators

## Series „G“ made of steel

Highest volume for biggest flow.

### Features

- Compact design
- Complies with standards EN 858/DIN 1999
- Inlets and outlets made from 6 - 8 mm steel plate, same diameter as KG pipes
- Patented float, easy to remove as required by the norm
- Easy to clean lamellar coalescence material
- Maintenance-free coalescence block
- Sampling system can be integrated
- Increased cleaning performance possible
- Warning systems can be integrated
- Additional coalescence element can be retrofitted

### Shaft materials

#### ■ Extensions

The 625 and 1000 mm diameter access openings are designed to be completed with DIN 4034/1 shaft material. Shaft extensions can be supplied.





## AQUAFIX® Separator at Lego factory in Mexico



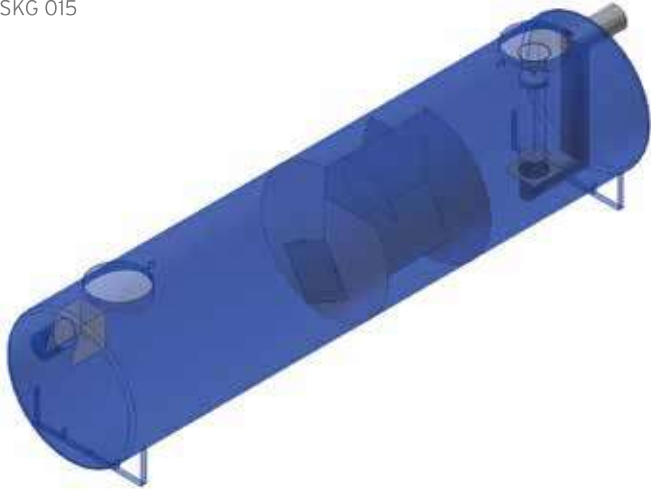
- Largest project of separators overseas
- The following projects were delivered:
  - AQUAFIX® SKGBP 120 - 8.8 metres, 6.1 tons
  - AQUAFIX® SKGBP 200 - 13.9 metres, 8.7 tons
  - AQUAFIX® SKGBP 250 - 17.2 metres, 10.5 tons
  - AQUAFIX® SKGBP 350 - 17.7 metres, 13.5 tons



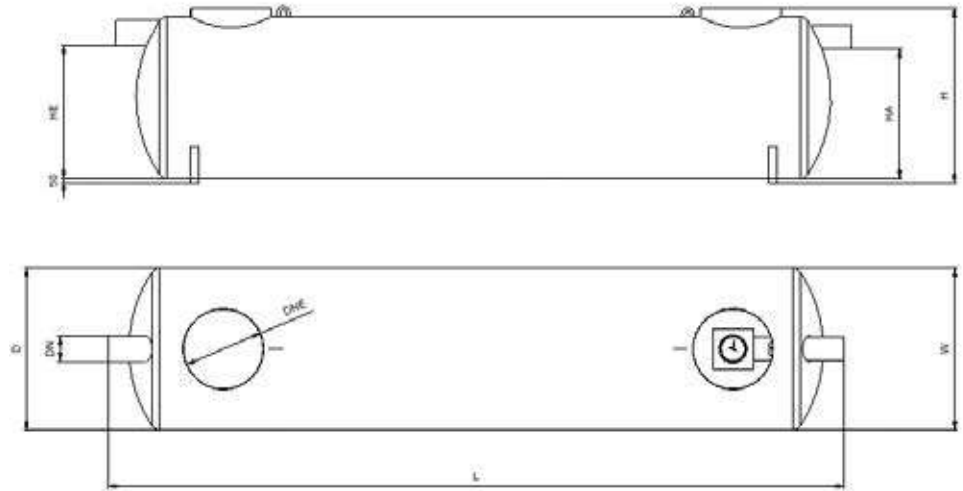
# AQUAFIX® Separator made of steel, series G

## AQUAFIX® - SKG Coalescence separator with sludge trap

SKG 015



	Length mm	Width mm	Height mm	External diameter mm	Flow performance l/s
SKG 015	3860	1250	1400	1250	15
SKG 020	4960	1250	1400	1250	20
SKG 025	4550	1600	1750	1600	25
SKG 030	5200	1600	1750	1600	30
SKG 035	5600	1600	1750	1600	35
SKG 040	6020	1600	1750	1600	40
SKG 045	5150	2000	2150	2000	45
SKG 050	5450	2000	2150	2000	50
SKG 060	6040	2000	2150	2000	60
SKG 065	6350	2000	2150	2000	65
SKG 070	6750	2000	2150	2000	70
SKG 075	7200	2000	2150	2000	75
SKG 080	7660	2000	2150	2000	80
SKG 090	8240	2000	2150	2000	90
SKG 100	9100	2000	2150	2000	100
SKG 120	8100	2500	2650	2500	120
SKG 130	8100	2500	2650	2500	130
SKG 140	8440	2500	2650	2500	140
SKG 150	8440	2500	2650	2500	150
SKG 160	9740	2500	2650	2500	160
SKG 170	9740	2500	2650	2500	170
SKG 180	10540	2500	2650	2500	180
SKG 200	11300	2500	2650	2500	200
SKG 250	14100	2500	2650	2500	250

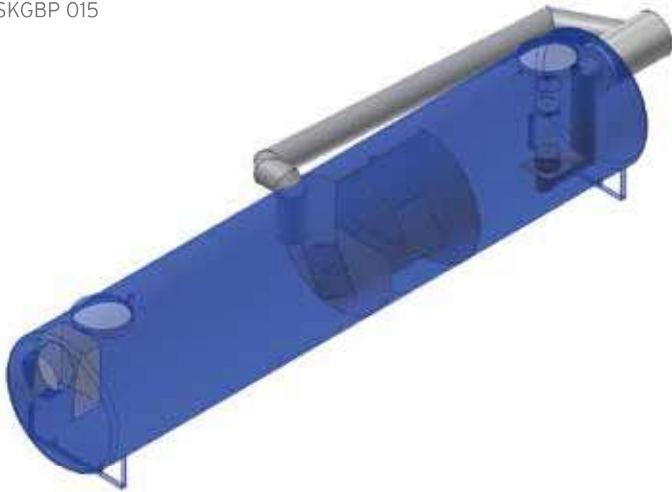


Sludge trap capacity l	Separator capacity l	DN/OD in-/outlet mm	HE H inlet mm	HA H outlet mm	DNE Manhole 1 mm	DNE Manhole 2 mm	Weight kg	Item No.
1580	1400	200	1000	950	625	625	952,00	181015
1890	2200	200	1000	950	625	625	1178,00	181020
2900	3380	200	1350	1300	1000	1000	1437,00	181025
3620	3820	200	1350	1300	1000	1000	1580,00	181030
3800	4340	200	1350	1300	1000	1000	1657,00	181035
4710	4200	200	1350	1300	1000	1000	1758,00	181040
4850	6090	315	1650	1600	1000	1000	2356,00	181045
6100	5930	315	1650	1600	1000	1000	2467,00	181050
6930	6470	315	1650	1600	1000	1000	2641,00	181060
7380	6870	315	1650	1600	1000	1000	2766,00	181065
8040	7280	315	1650	1600	1000	1000	2885,00	181070
8320	8250	315	1650	1600	1000	1000	3017,00	181075
9150	8680	315	1650	1600	1000	1000	3113,00	181080
10260	9160	315	1650	1600	1000	1000	3358,00	181090
11370	10400	315	1650	1600	1000	1000	3646,00	181100
13520	16000	400	2050	2000	1000	1000	4431,00	181120
13520	16000	400	2050	2000	1000	1000	4431,00	181130
14220	16840	400	2050	2000	1000	1000	4584,00	181140
14220	16840	400	2050	2000	1000	1000	4584,00	181150
18100	18530	400	2050	2000	1000	1000	5165,00	181160
18100	18530	400	2050	2000	1000	1000	5165,00	181170
19820	20210	400	2050	2000	1000	1000	5515,00	181180
21540	21730	400	2050	2000	1000	1000	5661,00	181200
28270	26950	400	2050	2000	1000	1000	6694,00	181250

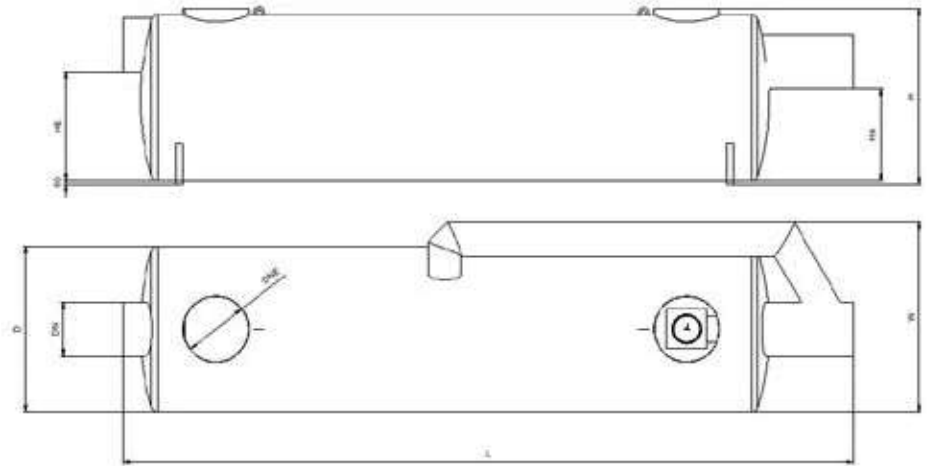
# AQUAFIX® Separator made of steel, series G

## AQUAFIX® - SKGBP Coalescence separator with sludge trap and bypass

SKGBP 015



	Length mm	Width mm	Height mm	External diameter mm	Flow performance l/s
SKGBP 015	4700	1500	1400	1250	75
SKGBP 020	5825	1500	1400	1250	100
SKGBP 025	5235	1900	1750	1600	125
SKGBP 030	6300	1900	1750	1600	150
SKGBP 035	6300	1900	1750	1600	175
SKGBP 040	7200	1900	1750	1600	200
SKGBP 045	5400	2200	2150	2000	225
SKGBP 050	6000	2200	2150	2000	250
SKGBP 055	6300	2200	2150	2000	275
SKGBP 060	6300	2200	2150	2000	300
SKGBP 065	7200	2200	2150	2000	325
SKGBP 070	8000	2200	2150	2000	350
SKGBP 075	8000	2200	2150	2000	375
SKGBP 080	8500	2200	2150	2000	400
SKGBP 090	7300	2800	2650	2500	450
SKGBP 100	7300	2800	2650	2500	500
SKGBP 120	8800	2800	2650	2500	600
SKGBP 130	9600	2800	2650	2500	650
SKGBP 140	10300	2900	2650	2500	700
SKGBP 150	11000	2900	2650	2500	750
SKGBP 160	11500	2900	2650	2500	800
SKGBP 170	12000	2900	2650	2500	850
SKGBP 180	12700	2900	2650	2500	900
SKGBP 200	13900	2900	2650	2500	1000
SKGBP 250	17200	2900	2650	2500	1250



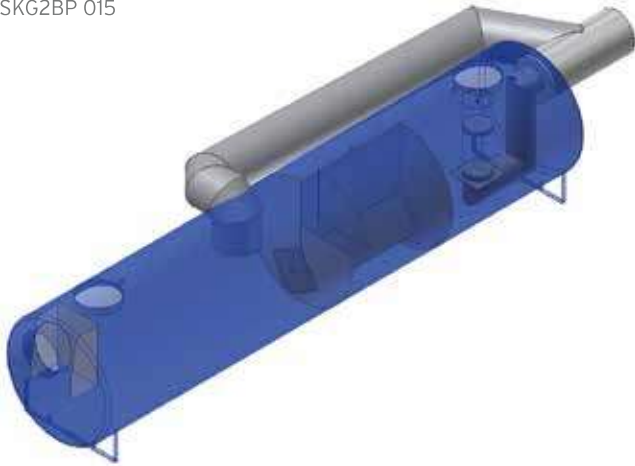
Sludge trap capacity l	Separator capacity l	DN/OD in-/outlet mm	HE H inlet mm	HA H outlet mm	DNE Manhole 1 mm	DNE Manhole 2 mm	Weight kg	Item No.
1500	1770	315	920	820	625	625	1700,00	182015
2300	2080	315	920	820	625	625	1900,00	182020
2990	2940	400	1150	1000	1000	1000	2350,00	182025
3960	4020	400	1150	1000	1000	1000	2700,00	182030
3960	4020	400	1150	1000	1000	1000	2750,00	182035
4850	4330	400	1150	1000	1000	1000	3050,00	182040
5120	5750	400	1550	1450	1000	1000	3100,00	182045
5690	5490	500	1450	1300	1000	1000	3300,00	182050
5920	6220	500	1450	1300	1000	1000	3500,00	182055
5920	6220	500	1450	1300	1000	1000	3600,00	182060
7460	6950	500	1450	1300	1000	1000	4050,00	182065
8390	7810	500	1450	1300	1000	1000	4250,00	182070
8390	7810	500	1450	1300	1000	1000	4300,00	182075
8600	9030	500	1450	1300	1000	1000	4500,00	182080
10010	12510	630	1850	1650	1000	1000	5450,00	182090
10010	12510	630	1850	1650	1000	1000	5600,00	182100
14010	14610	630	1850	1700	1000	1000	6150,00	182120
14580	13400	800	1650	1400	1000	1000	6300,00	182130
15640	14900	800	1650	1400	1000	1000	6700,00	182140
16710	15120	800	1650	1400	1000	1000	6900,00	182150
17780	16150	800	1650	1400	1000	1000	7450,00	182160
19020	17010	800	1650	1400	1000	1000	7650,00	182170
20090	18040	800	1650	1400	1000	1000	7950,00	182180
22220	20110	800	1650	1400	1000	1000	8650,00	182200
28440	25430	800	1650	1400	1000	1000	10400,00	182250



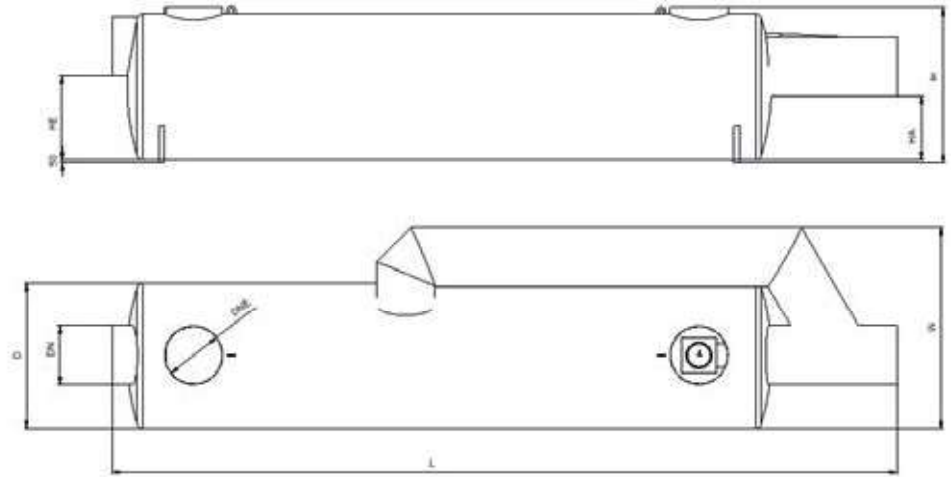
# AQUAFIX® Separator made of steel, series G

**AQUAFIX®** - SKG2BP Coalescence separator with sludge trap and bypass with increased performance

SKG2BP 015



	Length mm	Width mm	Height mm	External diameter mm	Flow performance l/s
SKG2BP 015	5000	1700	1400	1250	150
SKG2BP 020	6300	1700	1400	1250	200
SKG2BP 025	5100	2100	1750	1600	250
SKG2BP 030	7100	2100	1750	1600	300
SKG2BP 035	7100	2100	1750	1600	350
SKG2BP 040	8200	2100	1750	1600	400
SKG2BP 045	6000	2500	2150	2000	450
SKG2BP 050	6200	2500	2150	2000	500
SKG2BP 055	7400	2600	2150	2000	550
SKG2BP 060	7400	2600	2150	2000	600
SKG2BP 065	8200	2600	2150	2000	650
SKG2BP 070	9100	2600	2150	2000	700
SKG2BP 075	9100	2600	2150	2000	750
SKG2BP 080	11900	2900	2150	2000	800
SKG2BP 090	9000	3300	2650	2500	900
SKG2BP 100	9000	3300	2650	2500	1000
SKG2BP 120	10700	3300	2650	2500	1200
SKG2BP 130	11500	3300	2650	2500	1300
SKG2BP 140	13000	3500	2650	2500	1400
SKG2BP 150	13500	3500	2650	2500	1500
SKG2BP 160	14500	3500	2650	2500	1600
SKG2BP 170	15000	3500	2650	2500	1700
SKG2BP 180	15800	3500	2650	2500	1800
SKG2BP 200	11800	3900	3050	2900	2000
SKG2BP 250	13700	3900	3050	2900	2500



Sludge trap capacity l	Separator capacity l	DN/OD in-/outlet mm	HE H inlet mm	HA H outlet mm	DNE Manhole 1 mm	DNE Manhole 2 mm	Weight kg	Item No.
1510	1740	400	820	670	625	625	2300,00	184015
2310	2070	400	820	670	625	625	2700,00	184020
2990	2940	400	1150	1000	1000	1000	2800,00	184025
4050	4060	500	1050	850	1000	1000	3250,00	184030
4050	4060	500	1050	850	1000	1000	3300,00	184035
4860	4760	500	1050	850	1000	1000	3750,00	184040
5310	5370	500	1450	1300	1000	1000	3800,00	184045
5690	5490	500	1450	1300	1000	1000	3900,00	184050
6110	6320	630	1350	1150	1000	1000	4500,00	184055
6110	6320	630	1350	1150	1000	1000	4600,00	184060
7520	6990	630	1350	1150	1000	1000	4650,00	184065
8460	7900	630	1350	1150	1000	1000	5050,00	184070
8460	7900	630	1350	1150	1000	1000	5100,00	184075
8850	9330	800	1150	850	1000	1000	6400,00	184080
9950	12720	800	1650	1400	1000	1000	6700,00	184090
9950	12720	800	1650	1400	1000	1000	6800,00	184100
13860	15120	800	1650	1400	1000	1000	7500,00	184120
14580	16840	800	1650	1400	1000	1000	7900,00	184130
15970	14440	1000	1450	1100	1000	1000	8000,00	184140
16890	15320	1000	1450	1100	1000	1000	8200,00	184150
18120	16500	1000	1450	1100	1000	1000	8900,00	184160
19350	17090	1000	1450	1100	1000	1000	9500,00	184170
20270	18270	1000	1450	1100	1000	1000	10350,00	184180
20640	19120	1000	1850	1500	1000	1000	10800,00	184200
25220	22820	1000	1850	1450	1000	1000	11200,00	184250

# AQUAFIX® Separators

Installation Instructions & Examples





# AQUAFIX® Separators

## Installation Instructions

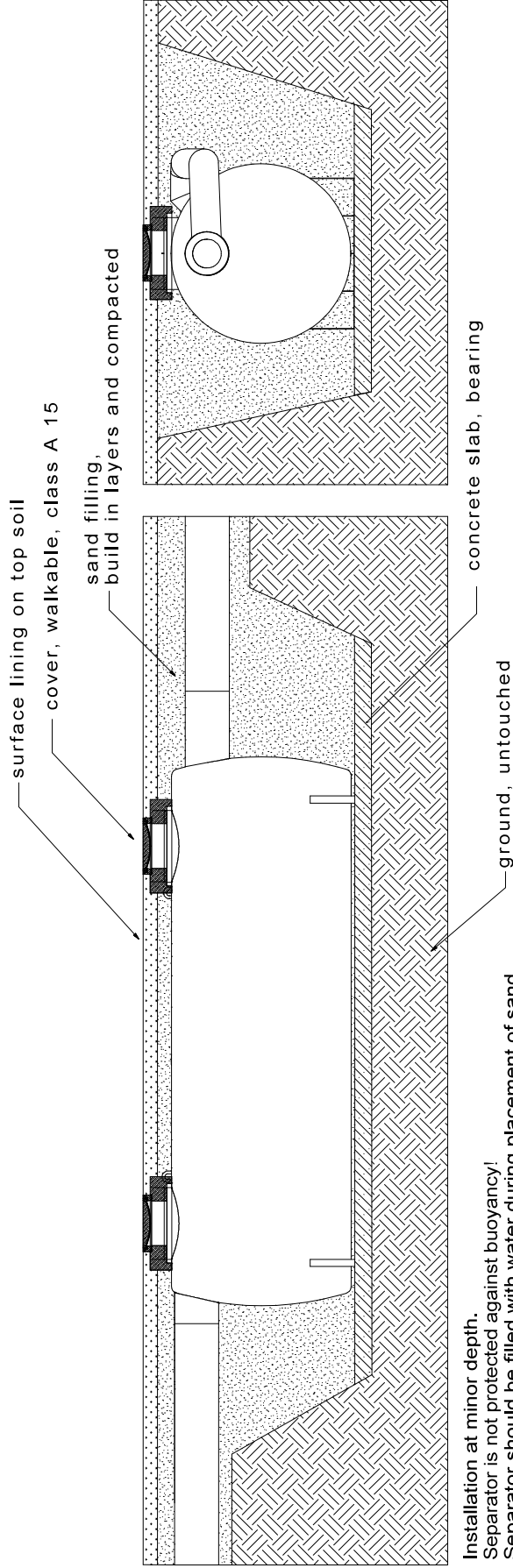
Separators series „G“ made of steel

### Installation advice for AQUAFIX® Separators series „G“ made of steel

1. Please check completeness of delivery and immediately note any parts that are missing or were damaged in transit on the delivery note. Complaints received at a later date will not be accepted. Otherwise our general business terms and conditions apply.
2. The separator must be installed outside the washing areas where it will not overflow or back up. It must also be as close as possible to the source of the sewage, in the open but protected from the frost and easy to access with cleaning vehicles. The outlets and pipes must be able to drain off.
3. The excavation base must be level. If no suitable soil is available a 10 mm thick compressed bed of sand or small pebbles can be used. A foundation plate would be even better. If the foundation soil is non-supporting, make a statically dimensioned foundation plate.
4. Take thickness of base and correction layer into consideration in height calculations. Pay attention to height information in installation drawing.
5. Tank must be installed in a level position.
6. The material must be level as it flows through the separator. Inlets and outlets must be correctly aligned. The inlet and outlet must not be the wrong way around! Use the correct gradient! Recommended total gradient of system must be 2 - 5 %!
7. Install system with top edge higher than last inlet point.
8. Pipelines must be connected without leaks.
9. After all tanks, tops, covers and connecting pipes have been correctly aligned, clean the system!
10. Before filling up the system, fill all tanks with fresh water and check for leaks. The leak test is mandatory!
11. Do not modify tank or pipes again after filling with sand and compressing. Please refer to provided installation drawing.
12. Attach concrete plate to provide buoyancy protection if necessary.
13. When fitting the dome shafts, ensure that the seals are correctly placed! Please use an adequate quantity of lubricant. We recommend laying the shaft elements beneath each other in mortar.
14. With liquid separation systems: When filling with fresh water, hold float in raised position by hand until it is able to float independently. Report start-up to relevant authority. Always follow accident prevention regulations during installation!

# Installation Drawing

## Installation drawing series G, separator from steel walkable areas - loading capacity A 15



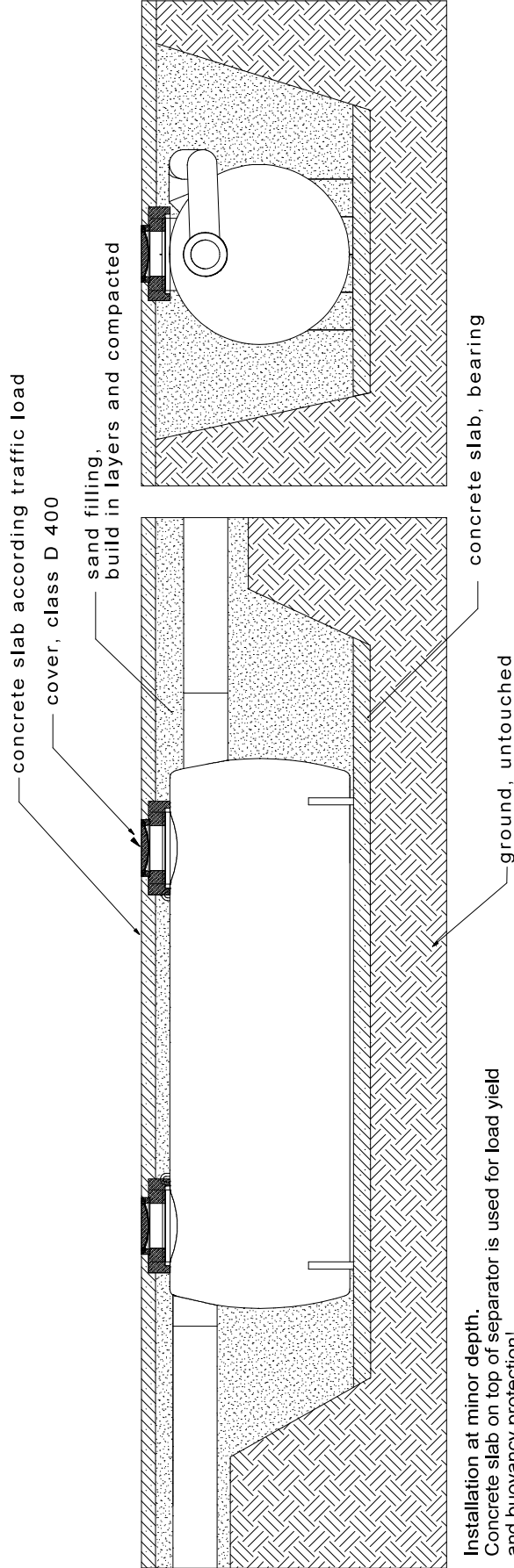
Installation at minor depth.  
Separator is not protected against buoyancy!  
Separator should be filled with water during placement of sand filling continuously.

		<b>Einbauzeichnung G Kl. A</b> geringe Tiefe englisch	
Erstellt: Coe	070725	<b>AQUAFIX</b>	
gezeichnet von:	g.ölsner	Hauraton GmbH & Co KG Werkstrasse 13 D-70437 Haslach Tel. +49 7142 958-0 Fax +49 7222 958-100 www.hauraton.com mail: export@hauraton.com	
CoE	081208	Textänderung	

# Installation Drawing

## Installation drawing series G, separator from steel

trafficable areas - loading capacity D 400



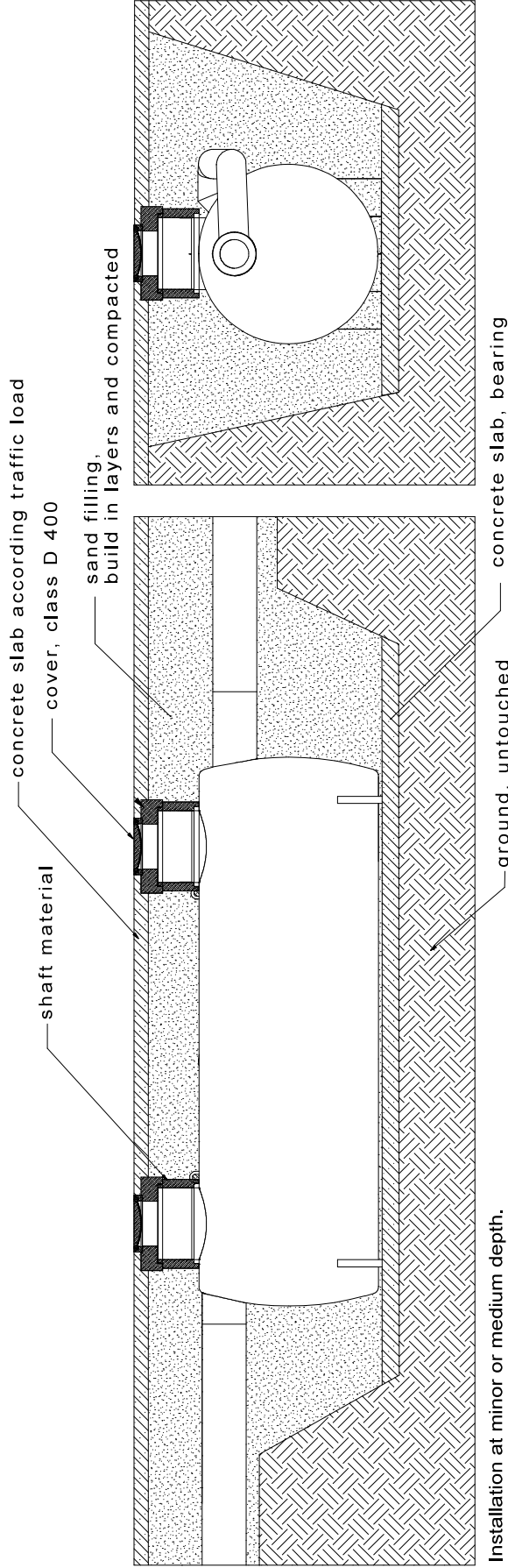
Installation at minor depth.  
Concrete slab on top of separator is used for load yield and buoyancy protection!  
Separator should be filled with water during placement of sand filling continuously.

<b>hauraton</b>		Einbauzeichnung G Kl. D geringe Tiefe englisch	
Erstellt: Coe	070725	AQUAFIX	
gezeichnet von:	070725	Hauraton GmbH & Co KG	
CoE	070725	Werkstrasse 13	
CoE	081208	D-76437 Rastatt	
		Tel. +49 7222 958-0	
		Fax +49 7222 958-100	
		www.hauraton.com	
		mail: export@hauraton.com	

# Installation Drawing

## Installation drawing series G, separator from steel

trafficable areas - loading capacity D 400



Installation at minor or medium depth.  
Concrete slab on top of separator is used for load yield and buoyancy protection!  
Separator should be filled with water during placement of sand filling continuously.

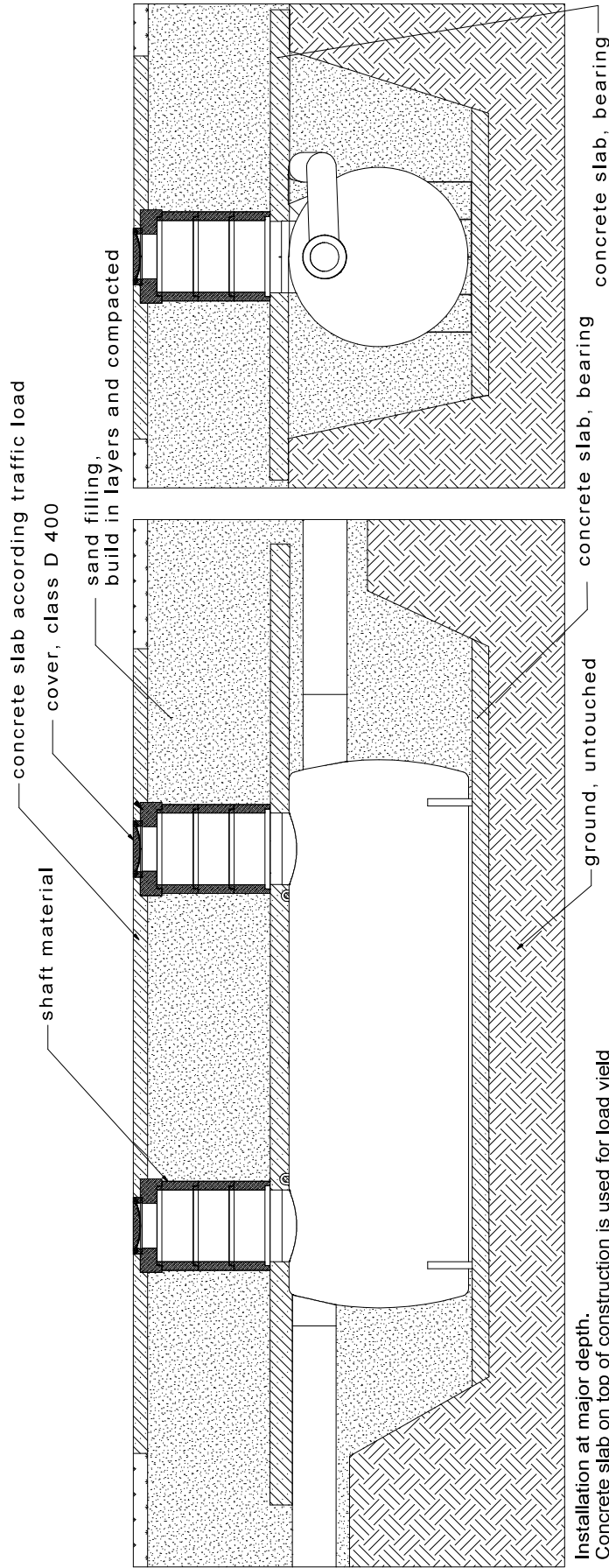
		<b>Einbauzeichnung G Kl. D</b> mittlere Tiefe englisch	
Erstellt: Coe		070725	AQUAFIX
geplant durch:	070725	Hauraton GmbH & Co KG	
CoE	größter	Werksflasse 13	
CoE	081208	D-76437 Rabastadt	
		Tel. +49 7222 858-0	
		Fax +49 7222 858-100	
		www.hauraton.com	
		mail: export@hauraton.com	



Installation Drawing

Installation drawing series G, separator from steel

trafficable areas - loading capacity D 400



Installation at major depth.  
Concrete slab on top of construction is used for load yield and slab on top of separator is used for buoyancy protection!  
Separator should be filled with water during placement of sand filling continuously.

<b>hauraton</b>		<b>Einbauzeichnung G Kl. D große Tiefe englisch</b>	
Erstellt: Coe	070725	<b>AQUAFIX</b>	
gezeichnet von:	070725	Hauraton GmbH & Co KG	
CoE	070725	Werkstrasse 13	
CoE	081208	D-76437 Rastatt	
		Tel. +49 7222 958-0	
		Fax +49 7222 958-100	
		www.hauraton.com	
		mail: export@hauraton.com	

<b>Installation Instructions</b>	<b>AQUAFIX® „PP“</b>	<b>AQUAFIX® „10 PE“</b>	<b>AQUAFIX® concrete</b>	<b>AQUAFIX® Steel „k“</b>	<b>AQUAFIX® Steel „G“</b>
----------------------------------	----------------------	-------------------------	--------------------------	---------------------------	---------------------------

# AQUAFIX® Separators

## Installation Instructions

Separators series „G“ made of steel

### Operation and maintenance of AQUAFIX® light liquid separators series „G“ made of steel

#### ■ Before start-up

1. Clean entire system and remove residual mortar, soil etc.
2. Fill sludge trap and separator with fresh water.\*

**Attention! Always hold float of seal in hand when filling until it can float by itself. Please ensure that water level is same in all chambers of tank, and fill in sequence!**

3. Re-check joints of system for leaks.

\* Sludge trap in this type of system must be filled with fresh water.

#### ■ Operation

As well as following the maintenance guide, the entire system must comply with the following regulations:

- DIN 1986 (estate drainage systems)
- EN 858 (light liquid separators)
- Local drainage regulations and other instructions

Only sewage that does not have a detrimental effect on the intended operation of the separator must be led into the system. Emulsions and solvents (cold cleaners, drilling and cutting oil, water-soluble hydrocarbons etc.) must not be allowed to enter the separator. Dispose of these materials together with the special waste. Rainwater from surfaces for which the separator was not intended and domestic sewage must not be led into the separator. With coalescence separators: Do not remove coalescence insert during operation!

The use of alarm systems with big steel AQUAFIX® SKG, SKBP, SKGBP2 and SKGBPL separators is strongly recommended because of the large quantity of light liquid that is stored!

#### ■ Disposal

Separator systems must be drained at least every six months, but should not be allowed to fill to more than 85% of their storage capacity. Cleaning must occur more often if the storage capacity of the separator or sludge trap is exceeded. Operation must not be interrupted. All separated material must be drained, cleaned and taken away for disposal by an approved disposal company.

Please empty the separator and the sludge trap of this type of system at the same time if possible.

First extract the oil layer from the system and then the layer of water beneath it, into separate tanks if possible. Clean float and seal every time the system is emptied and check operation thereof.

With coalescence separators: If the coalescence material is soiled, remove coalescence material, clean above sludge trap, give damaged coalescence material to disposal company and replace with new material. Replace coalescence material. The sludge trap has a coalescence chamber access flap for removing the coalescence material. Refill system with fresh water whenever it is emptied and cleaned.

**Attention! Always hold float of seal by hand until it is floating when filling the system. Use mobile ladder when entering the system. Extract air/vapour mixture beforehand. Take the relevant safety precautions! Follow the accident prevention regulations!**

In the event of torrential rainfall, a sudden influx into the separator can occur with large separators. When entering the system, prevent influx and pay attention to personal safety.



### ■ Maintenance

The separator must be serviced at least every 6 months. The system must be emptied to do this. Carefully check that all system components are in good working order and undamaged. Then fill separator and sludge trap with water\*, hold seal open by hand or insert later.

\* Sludge trap in this type of system must be filled with fresh water.

It is extremely important to follow the accident prevention regulations! Keep these instructions in a clearly visible location in close proximity to the separator!

Coalescence insert description and maintenance guide

1. Description: The coalescence insert consists of lamellar material that is in the coalescence chamber.
2. Maintenance: The coalescence material must be checked monthly for soiling. If the material is difficult to rinse out, remove material using the clamp in the coalescence chamber that is accessible from the sludge trap and clean. Replace material with new material if necessary. Then close flap again.

**Do not remove coalescence material during operation!**

Seal description and maintenance

1. Description: The separator outlet is equipped with a seal. When the float drops into the light liquid layer a sealing washer is pressed against the bottom end of the outlet. When filling the system with fresh water, hold float in an elevated position by hand until it can float by itself.
2. Maintenance: **Important!** The seal must be held in an elevated position by hand by pulling the float until the maximum water level is reached. Do not release float until it is floating in water, therefore releasing the seal!